



Flow Metering for HVAC

Insertion and full-bore mag meters for HVAC, differential pressure meters for hot water, steam, and gas.



Install a metering point for the life of your facility.

You can't manage what you can't measure. Invest in a flow meter that provides you with the flow data you need to make informed decisions about daily operations. McCrometer's Full Profile Insertion Mag (FPI Mag[®]) is **perfect for retrofits using hot-tap installation without shutting down your process.** Our Ultra Mag[®] can be made with custom lay lengths to accommodate upgrading older meters, offering the ultimate in flexibility. Our differential pressure V-Cone[®] requires minimal-to-no upstream and downstream straight runs to better fit your campus steam or hot water applications. The Wafer-Cone[®], the flangeless version of the V-Cone, has interchangeable cones for dynamic hot water and steam flows.

Talk about versatility!

We recommend watching our YouTube videos to become more informed about installation and meter functionality. You may download each product's specification sheets and manuals from our website to understand more of the technical details. The flow professionals at the factory are always available to answer questions and provide a quote when you're ready to start your next flow project.



www.youtube.com/mccrometer



www.mccrometer.com/ind



quotes@mccrometer.com

FPI Mag

Proprietary installation tool ensures straight and accurate insertion even against system pressure.

Up to $\pm 0.5\%$ **accuracy** and 4" to 138" line sizes available.

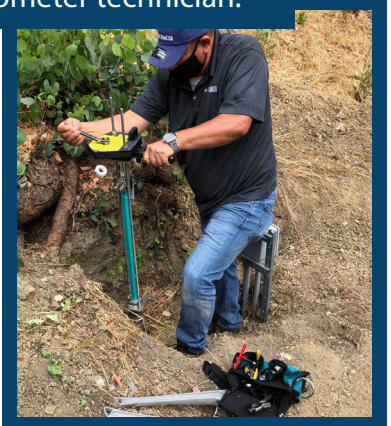
Ball valve to allow **ease of insertion** and removal via hot tap connection.

Stainless steel or hastelloy electrodes best suited for conductivity in **tough water applications**.

Fusion-bonded epoxy coating impervious to chemicals in chill water.

Modbus, 4-20mA, pulse, Sensus, Itron outputs available and **NSF-61 certified** for drinking water applications.

An FPI Mag installed by a McCrometer technician.



www.mccrometer.com/ind

Ultra Mag



The Ultra Mag's unique **NSF-approved UltraLiner™** eliminates problems with delamination and is ideal for tight applications on either side of pumps. An ideal alternative to traditional rubber liners, the UltraLiner is durable and impervious to harsh chemicals and debris in flow media.



The Ultra Mag's lay length can be customized to replace **non-standard lay length** meters without the need for additional spool pieces or welding.



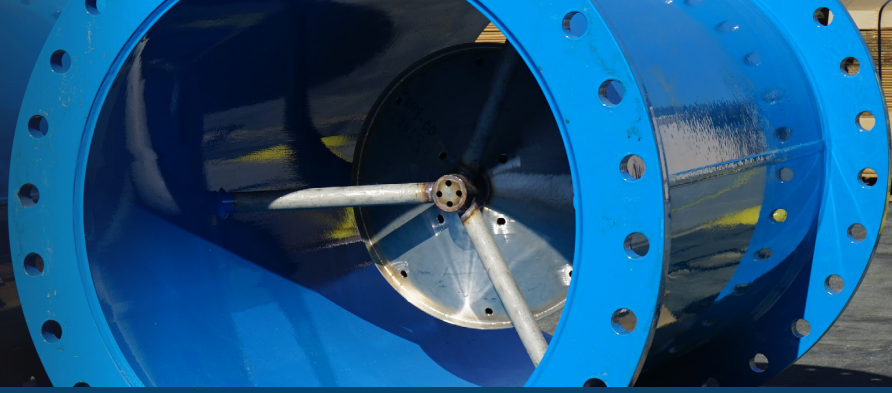
Modbus, 4-20mA, pulse, Sensus, and Itron outputs are available, and the Ultra Mag maintains up to $\pm 0.5\%$ **accuracy** with minimal straight runs needed.



The Ultra Mag offers both stainless steel and hastelloy electrodes best suited for **a variety of flow media**, and is available for use with AC power, DC power, battery only, or solar power.

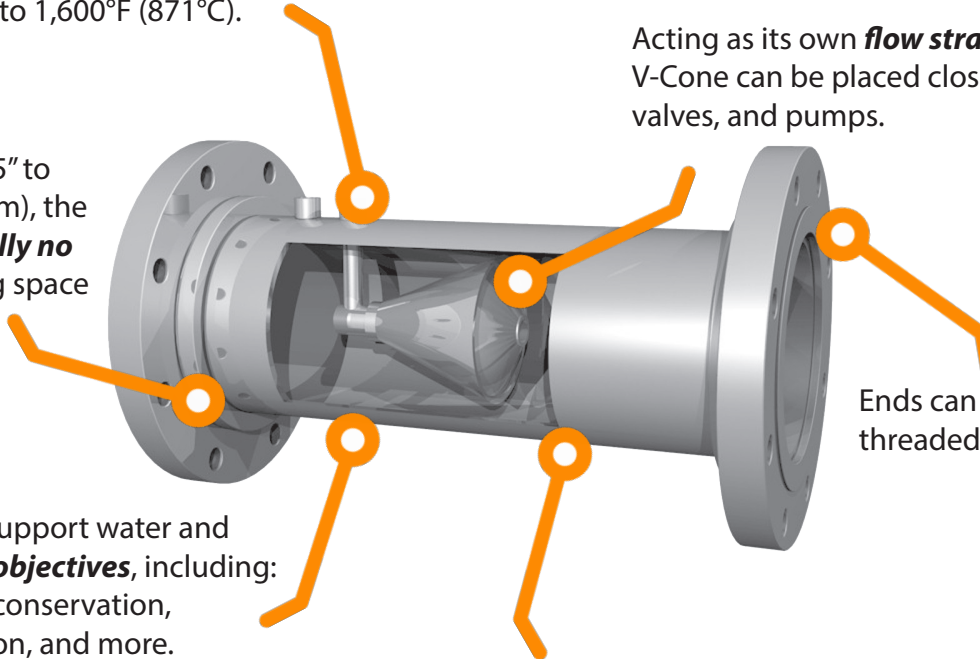


The V-Cone



Great for hot water, gas, and steam measurements, offering up to **±0.5% accuracy**, pressure up to 20,000 psi, and temperature up to 1,600°F (871°C).

Available in line size 0.5" to 120" (12.7mm - 3048mm), the V-Cone requires **virtually no straight-run**, providing space and budget savings.



Acting as its own **flow straightener**, the V-Cone can be placed close to elbows, valves, and pumps.

Ends can be flanged, threaded, hub, or **weld end**.

McCrometer meters support water and steam **management objectives**, including: billing & accounting, conservation, regulations & allocation, and more.

Custom built from material of choice including but not limited to: 304SS, 316 SS, Duplex 2205, Hastelloy C-276 and more.



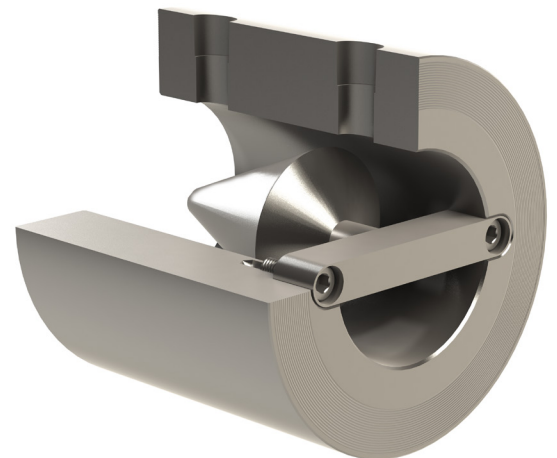
Built from 304 or 316 stainless steel, the Wafer-Cone maintains up to **±1% accuracy** with 1-3 diameters upstream and 1 downstream straight run required.



The Wafer-Cone provides similar properties as the V-Cone in a wafer style for smaller lines sizes with a **replaceable cone** to change your Beta ratio when flow conditions change.



Offered in line sizes 1" - 6" (25.4mm - 152.4mm), the Wafer-Cone combines exceptional flexibility with **high performance** - all in one small, space-saving flow measurement unit.



www.mccrometer.com/ind

Product Compatibility

	V-Cone®	Wafer-Cone®	FPI Mag®	Ultra Mag®
Air/Exhaust Flow	X	X		
Chemical Flow	X	X	X	X
Chill Water			X	X
HVAC Cooling Tower			X	X
Natural Gas	X	X		
Process BTU	X	X	X	X
Steam	X	X		
Steam Condensate	X	X		



Flow Metering for HVAC

Insertion and full-bore mag meters for HVAC, differential pressure meters for hot water, steam, and gas.

