



Made in the USA

# Flow Metering for Mining, Metals, & Minerals

Electromagnetic, propeller, and differential pressure meters for source water, slurries, effluent, steam applications, and more.



## Sustainability & renewability starts with your meter. *You can't manage what you don't measure.*

McCrometer has a full suite of flow measurement products to fit the various flow applications in the mining, metals, and minerals industries. From source and storm water measurement, to slurries, fuel, and steam measurement, our meters are designed for challenging flow conditions. Where other technologies and meters struggle, ours thrive and provide the reliable and accurate flow measurement data you need. You can rely on McCrometer to be the sole source provider of flow measurement devices, whether you need an off-the-shelf type meter to quickly install, or a custom solution engineered to ensure you meet your measurement needs.

### *Talk about versatility!*

We recommend watching our YouTube videos to become more informed about installation and meter functionality. You may download each product's specification sheets and manuals from our website to understand more of the technical details. The flow professionals at the factory are always available to answer questions and provide a quote when you're ready to start your next flow project.



[www.youtube.com/mccrometer](http://www.youtube.com/mccrometer)



[www.mccrometer.com/ind](http://www.mccrometer.com/ind)



[quotes@mccrometer.com](mailto:quotes@mccrometer.com)

# Mc® Propeller

FlowConnect™ **telemetry unit** provides convenient remote data collection and monitoring via satellite and cellular signal.

Many **configurations** available including saddle-style, top-plate, reverse-flow, and more. Removable top plate allows for easy access during field service or replacement.

**Field-proven technology** that is cost-efficient, reliable, and easy to install.

Epoxy-coated carbon steel (optional stainless steel) body and polymer propeller provide **extreme corrosion-resistance** and durability against harsh flow media.

Especially suited for **dirty water flows** and handles solids suspended in water without clogging.

An McPropeller installed in a Southern California pipeline.



[www.mccrometer.com/ind](http://www.mccrometer.com/ind)

# Dura Mag®



The Dura Mag's unique **fusion-bonded epoxy UltraLiner™** eliminates problems with delamination and is a good fit for tight applications on either side of pumps. An ideal alternative to traditional rubber liners, the UltraLiner is durable and impervious to harsh chemicals and debris in flow, as well as slurries.



The Dura Mag only requires 2 diameters upstream and 1 diameter downstream straight-run to achieve up to **±1% accuracy**. The ProComm Go converter can be meter-mounted or remote, allowing the meter to be buried in a vault if desired.



The ProComm Go converter offers Sensus, Itron 6, and Itron 9 smart output options and the unit is telemetry-ready. The ProComm Go also comes with an **internal datalogger** with 5 years of data storage.



The Dura Mag's stainless-steel electrodes are well-suited for a **variety of flow media**, and is available for use with AC power, DC power, battery only, or solar powered battery.

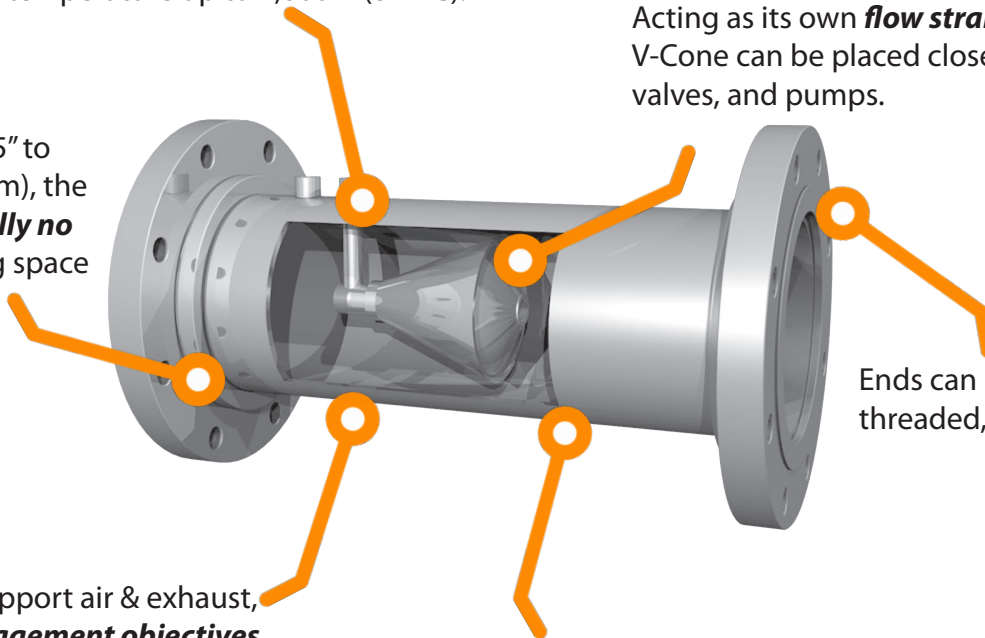


# The V-Cone®



Great for hot water, gas, steam, air, and exhaust measurements, offering up to **±0.5% accuracy**, pressure up to 20,000 psi, and temperature up to 1,600°F (871°C).

Available in line size 0.5" to 120" (12.7mm - 3048mm), the V-Cone requires **virtually no straight-run**, providing space and budget savings.



Acting as its own **flow straightener**, the V-Cone can be placed close to elbows, valves, and pumps.

Ends can be flanged, threaded, hub, or **weld end**.

McCrometer meters support air & exhaust, water, and steam **management objectives**, including: billing & accounting, conservation, regulations & allocation, and more.

**Custom built** from material of choice including but not limited to: 304SS, 316 SS, Duplex 2205, Hastelloy C-276 and more.



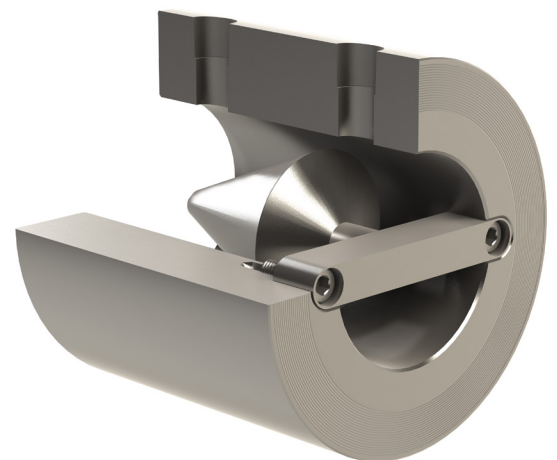
Built from 304 or 316 stainless steel, the Wafer-Cone® maintains up to **±1% accuracy** with 1-3 diameters upstream and 1 downstream straight run required.



The Wafer-Cone provides similar properties as the V-Cone in a wafer style for smaller lines sizes with a **replaceable cone** to change your Beta ratio when flow conditions change.



Offered in line sizes 1" - 6" (25.4mm - 152.4mm), the Wafer-Cone combines exceptional flexibility with **high performance** - all in one small, space-saving flow measurement unit.



[www.mccrometer.com/ind](http://www.mccrometer.com/ind)

# Product Compatibility

	V-Cone®	Wafer-Cone®	Mc®Propeller	Dura Mag®
Air/Exhaust Flow	X	X		
Chill Water				X
Dewatering			X	X
Effluent				X
Fuel Flow	X	X		
Gas	X	X		
Steam	X	X		
Source/Storm Water			X	X



## Flow Metering for Mining, Metals & Minerals

Electromagnetic, propeller, and differential pressure meters for source water, slurries, effluent, steam applications, and more.

